

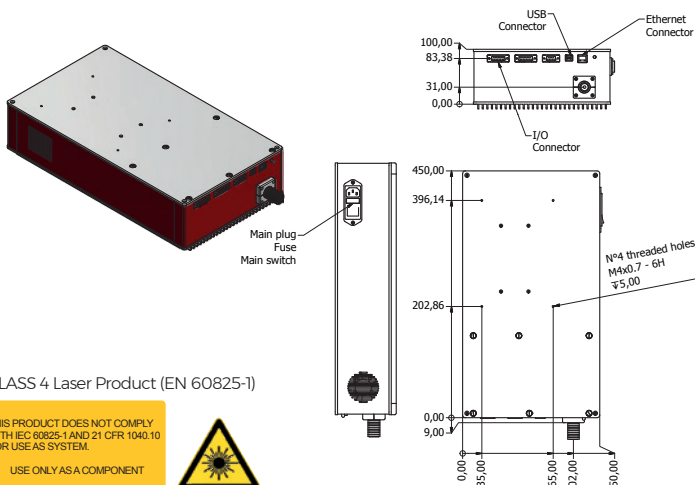
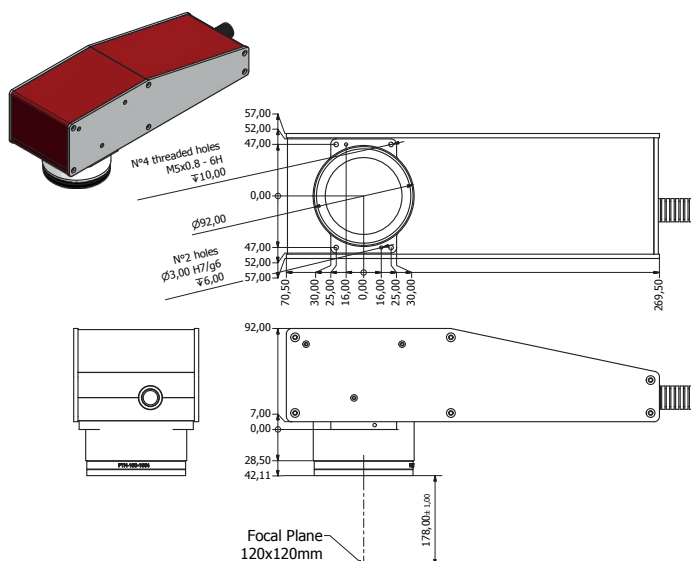


**MP20F**

## MP20F • YTTERBIUM PULSED FIBER TECHNOLOGY

### BEAM SPECIFICATION

Wavelength	Typical 1030nm
Mode of operation	Ytterbium Pulsed Fiber
Fiber cable umbilical tube length	2,5 m
Nominal average output power	max. 20 W
Pulse repetition rate	5-60 kHz
Pulse energy	0,5 mJ
Beam quality	M2 < 1,2
Aiming beam wavelength	<3mW, 635nm
Laser module supply voltage	115-230 VAC / 50-60 Hz
AC Power consumption	250 W
Cooling method	Passive convective conduction
Connectivity	USB / Ethernet
Weight (head&rack):	Kg 9



**mpix**  
Laser • solutions

**M-Pix S.r.l.**

Via dell'Unione Europea, 33  
21013 Gallarate (Varese) - Italy

Phone: +39 0331 332121 - E-mail: info@mpix.it

**www.mpix.it**

CLASS 4 Laser Product (EN 60825-1)

THIS PRODUCT DOES NOT COMPLY WITH IEC 60825-1 AND 21 CFR 1040.10 FOR USE AS SYSTEM.

USE ONLY AS A COMPONENT

