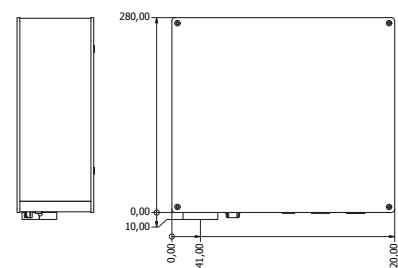
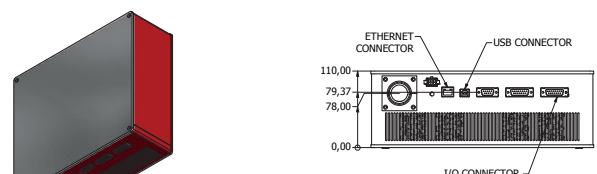
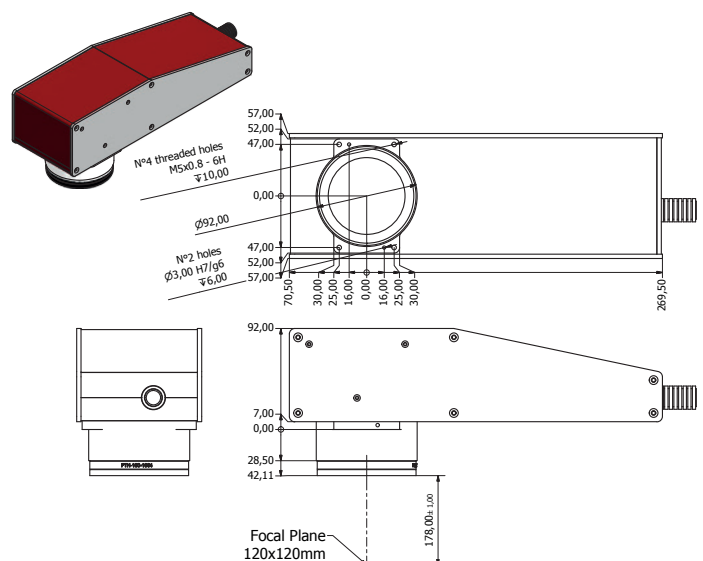


**MP20F-M**

## MP20F-M • YTTERBIUM MOPA FIBER TECHNOLOGY

### BEAM SPECIFICATION

Wavelength	Typical 1030nm
Mode of operation	Ytterbium Fiber
Fiber cable umbilical tube length	1,5 m
Nominal average output power	max. 20 W
Pulse repetition rate	10 kHz - 500 kHz
Peak power	up to 15 kW
Pulse width	from 3 up to 200 msec
Pulse energy	up to 1 mJ
Beam quality	M2 < 1,2
Aiming beam wavelength	<3mW, 635nm
Laser module supply voltage	24 VDC 10 A
AC Power consumption	250 W
Cooling method	by air
Connectivity	USB / Ethernet
Weight (head&rack):	Kg 9



**mpix**  
Laser • solutions

**M-Pix S.r.l.**

Via dell'Unione Europea, 33  
21013 Gallarate (Varese) - Italy  
Phone: +39 0331 332121 - E-mail: info@mpix.it

[www.mpix.it](http://www.mpix.it)

CLASS 4 Laser Product (EN 60825-1)

THIS PRODUCT DOES NOT COMPLY  
WITH IEC 60825-1 AND 21 CFR 1040.10  
FOR USE AS SYSTEM

USE ONLY AS A COMPONENT

